

Generic Design Catalogue

FLOOR STANDS
STACKING CUBES
COUNTER UNITS
DUMP BINS
FLOOR/DESK WINDOW PALLET BOXES
SHELF READY PACKAGING
FSDU'S WINDOW DRESSINGS
BESPOKE



Innovating Point of Purchase Solutions Worldwide

Tel: IRE +353 (0) 452 4333.

IDA Tallaght Bus. Park, Whitestown, Tallaght, Dublin 24, IRELAND

www.smurfitkappadisplay.com

Contents

COUNTER PACK UNITS

- 1 Tier Counterpack Unit / Shipper
- 2 Tier Counterpack Unit

DUMPER BINS

- Self Erecting Hexagonal Dumper Bin & Header Kit
- Large Octagonal Dumper Bin & Header Kit
- Generic Rectangular Bin With Well & flat top Options

FSDU's

- FSDU 400
- FSDU 600
- Single Stacker Magazine Unit
- Shoptidy Unit

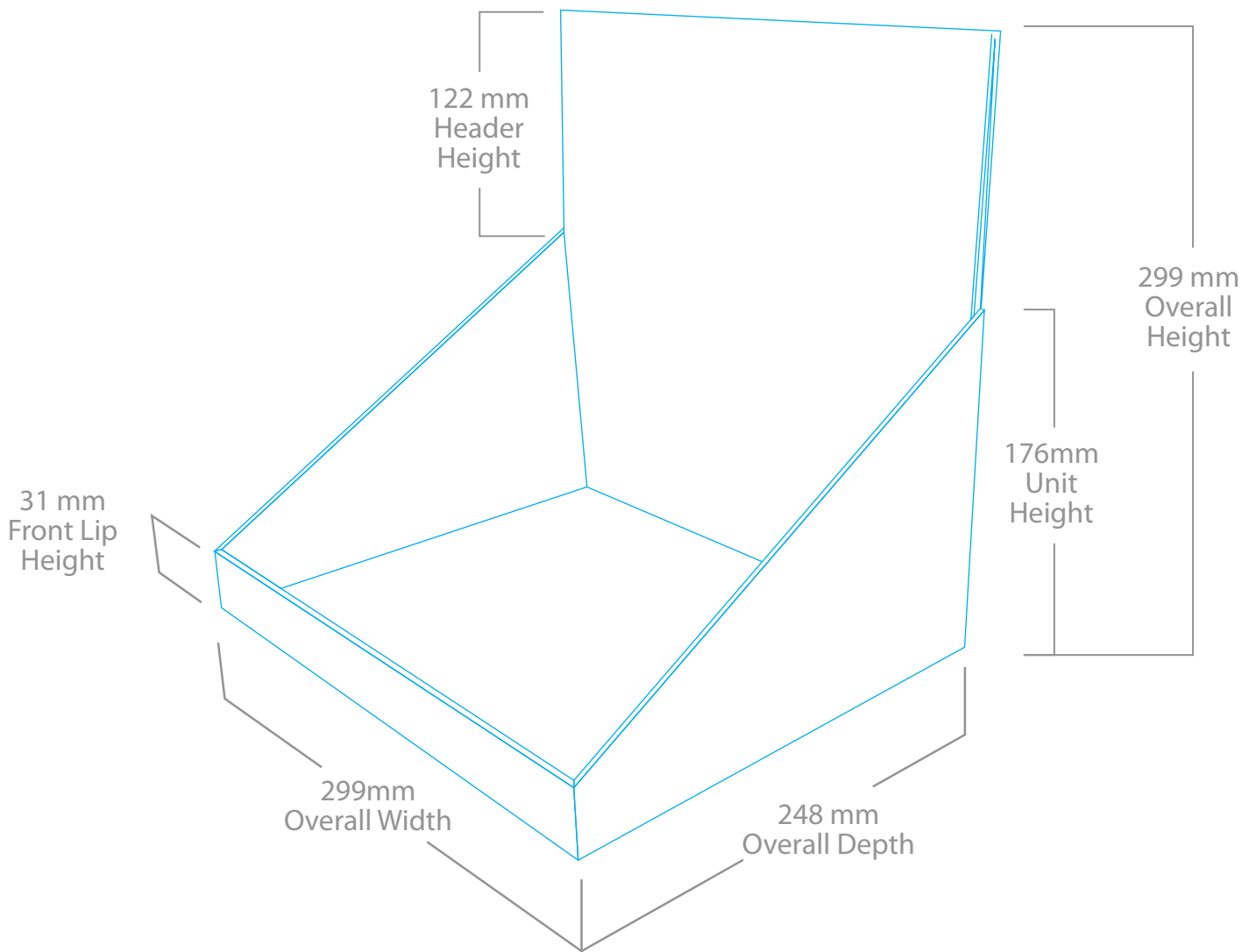


Innovating Point of Purchase Solutions Worldwide

Tel: IRE +353 (0) 452 4333.
IDA Tallaght Bus. Park, Whitestown, Tallaght, Dublin 24, IRELAND

www.smurfitkappadisplay.com

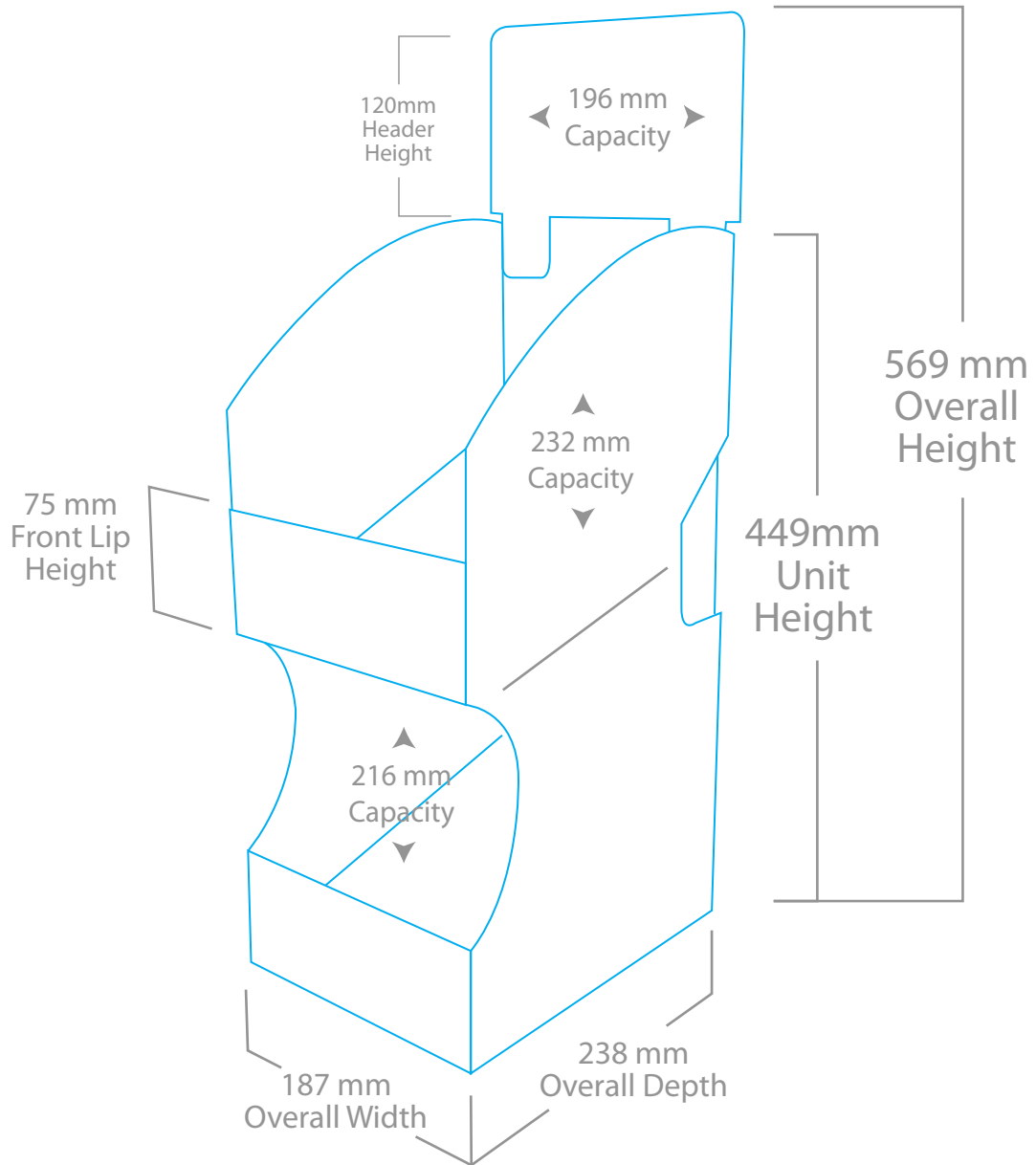
1 Tier Counterpack Unit/Shipper



Technical Information

■ Category:	1 Tier Counterpack Unit / Shipper	■
■ Spec No.:	12590	■
■ Flat Size:	834 mm x 911mm x 5mm	■
■ Assembled Size:	As Above	■
■ Material	E Flute	■
■ Weight loading	4-6 Kg	■
■ Stock Capacity Area:	176mm x 248mm x 299mm	■
■ Key Characteristic:	Shipper / PrePack	■
■ Product Sector:	All	■

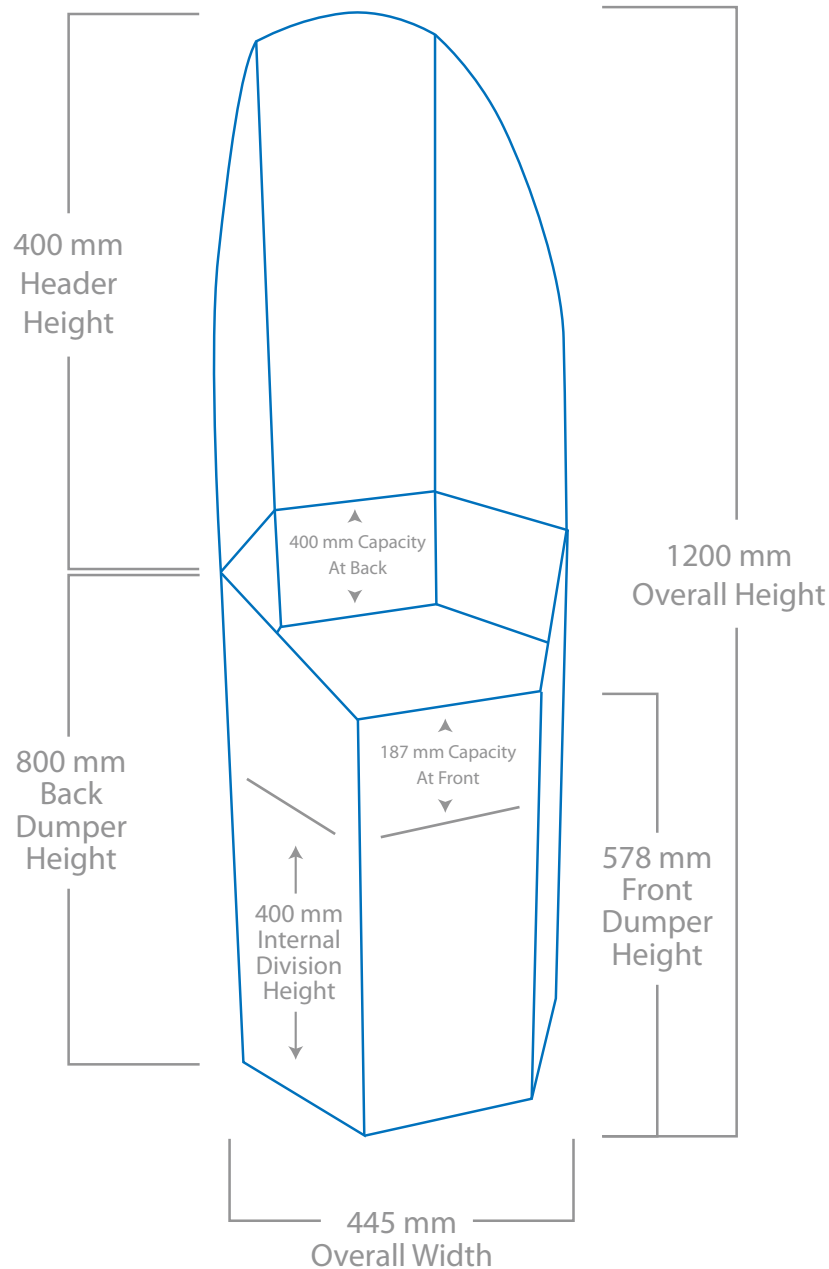
2 Tier Counterpack Unit



Technical Information

■ Category:	2 Tier Counterpack Unit	■
■ Spec No.:	12600	■
■ Flat Size:	422 mm x 455mm x 15mm	■
■ Assembled Size:	As Above	■
■ Material	E Flute	■
■ Weight loading	4-6Kg	■
■ Stock Capacity Area:	As Above	■
■ Key Characteristic:	None	■
■ Product Sector:	All	■

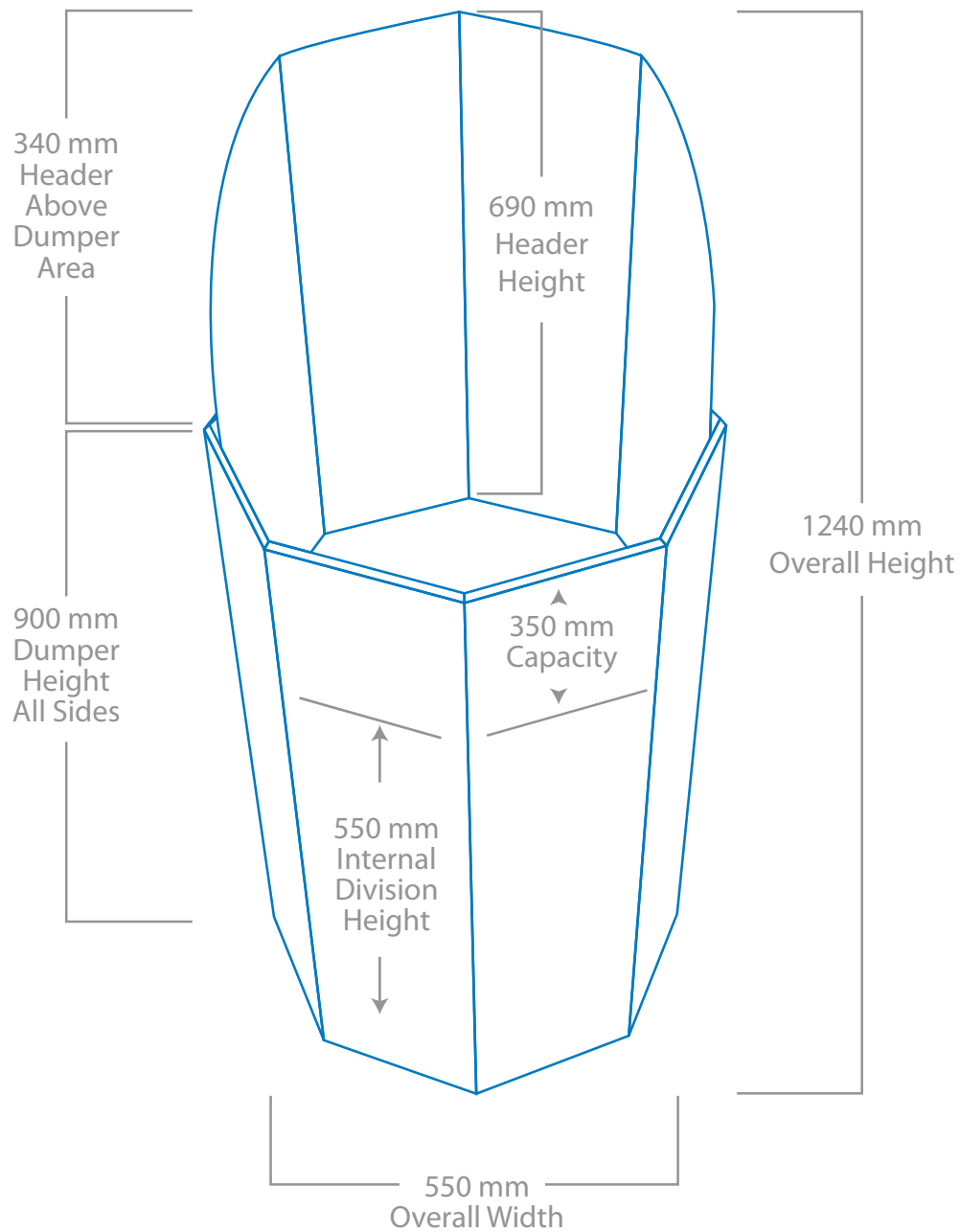
Self Erecting Hexagonal Dumper & Header Kit



Technical Information

■ Category:	Dumper Bin
■ Spec No.:	12592
■ Flat Size:	1055mm x 705mm x 44mm
■ Assembled Size:	As Above
■ Material	E/B Flute & F Flute
■ Weight loading	28Kg
■ Stock Capacity Area:	445mm x 445mm x 187mm
■ Key Characteristic:	Self Erecting
■ Product Sector:	All

Large Octagonal Dumper & Header Kit

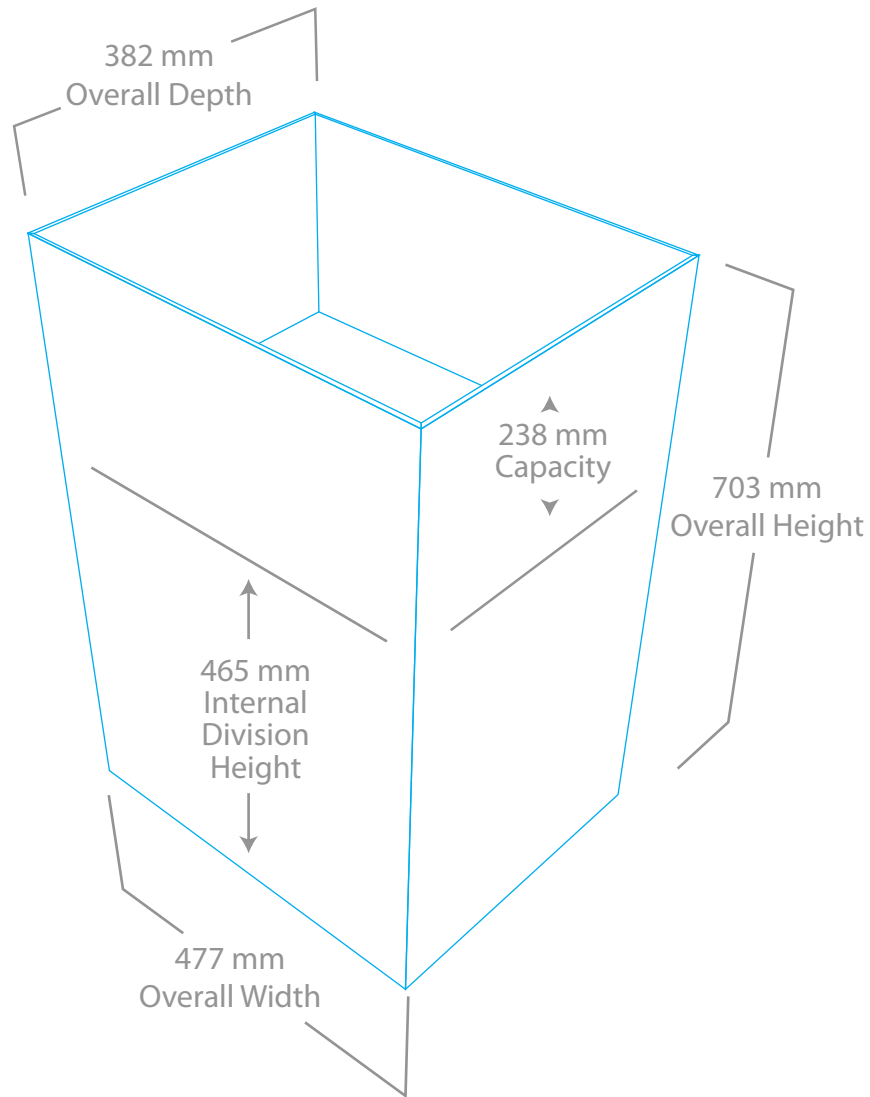


Technical Information

■ Category:	Dumper Bin	■
■ Spec No.:	12603	■
■ Flat Size:	1127mm x 915mm x 40mm	■
■ Assembled Size:	As Above	■
■ Material	E/B Flute	■
■ Weight loading	28Kg	■
■ Stock Capacity Area:	550mm x 550mm x 350mm	■
■ Key Characteristic:	None	■
■ Product Sector:	All	■

Generic Rectangular Dumper

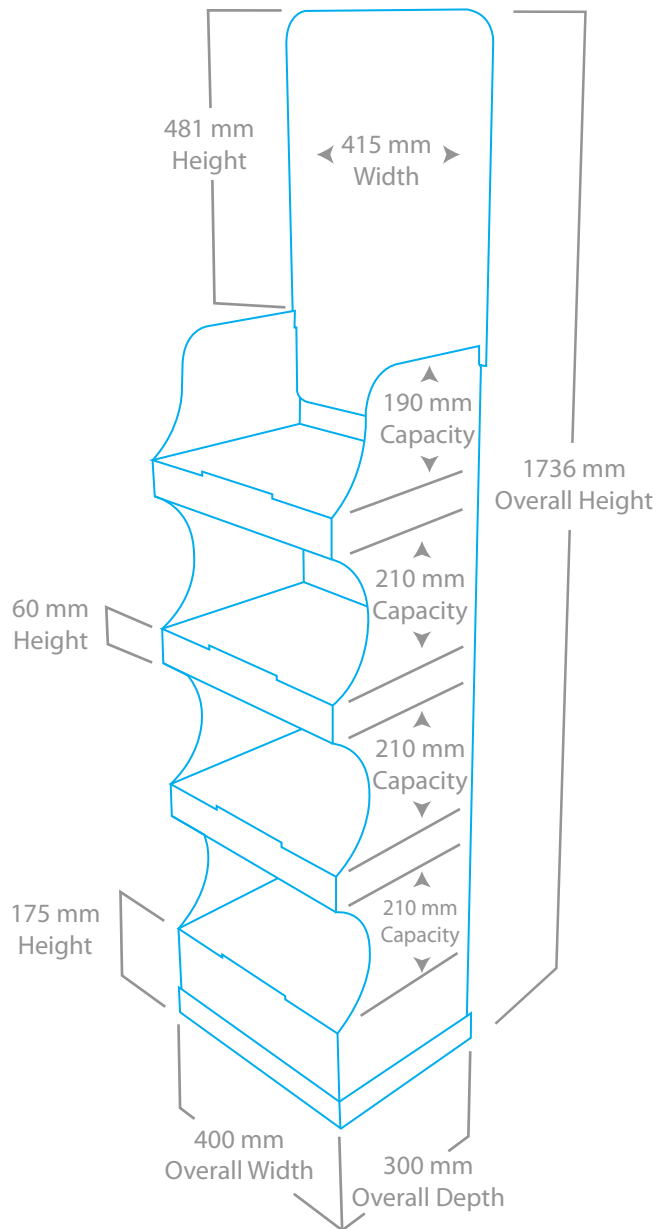
Well & Flat Top Options



Technical Information

■ Category:	Dumper Bin	■
■ Spec No.:	12751	■
■ Flat Size:	1127mm x 860 mm x 40mm	■
■ Assembled Size:	As Above	■
■ Material	B Flute	■
■ Weight loading	28Kg	■
■ Stock Capacity Area:	477mm x 382mm x 238mm	■
■ Key Characteristic:	Well or Flat top Options	■
■ Product Sector:	All	■

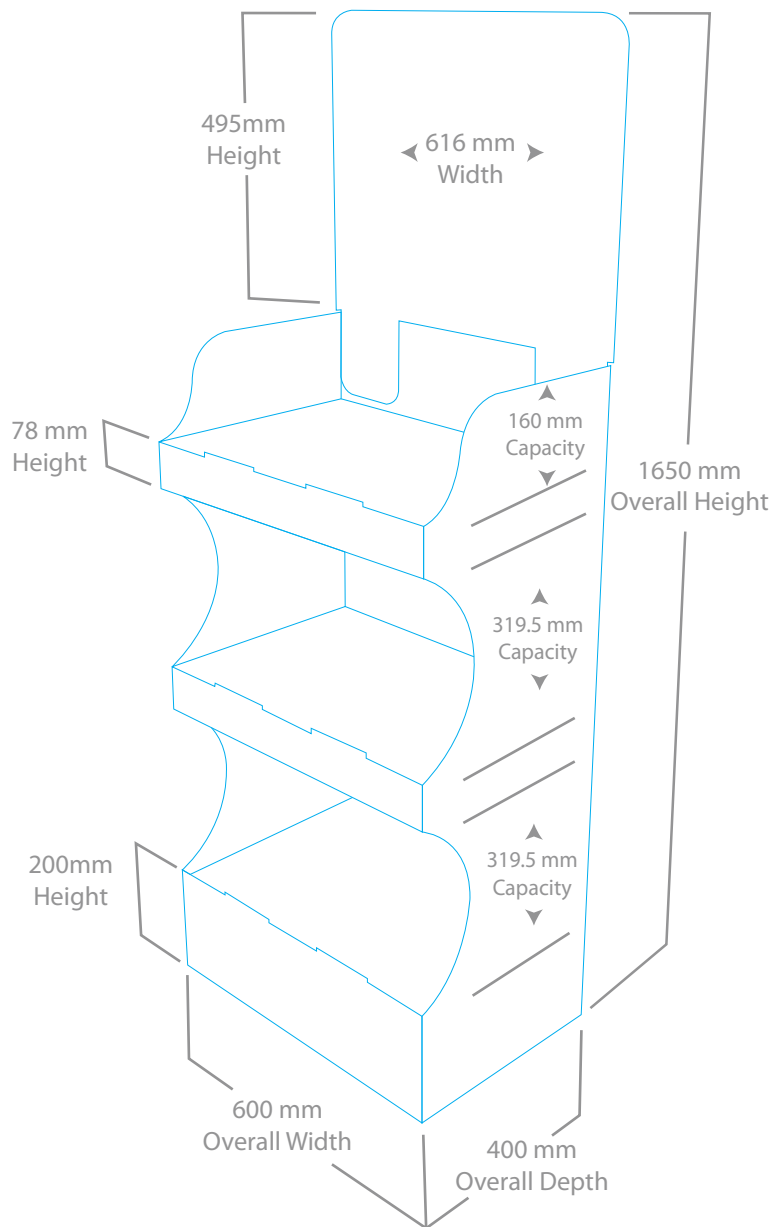
FSDU 400



Technical Information

■ Category:	FSDU	■
■ Spec No.:	12606	■
■ Flat Size:	1255mm x 700 mm x 30mm	■
■ Assembled Size:	As Above	■
■ Material	E/B Flute	■
■ Weight loading	8Kg per Shelf	■
■ Stock Capacity Area:	400mm x 300mm x 220mm	■
■ Key Characteristic:	None	■
■ Product Sector:	All	■

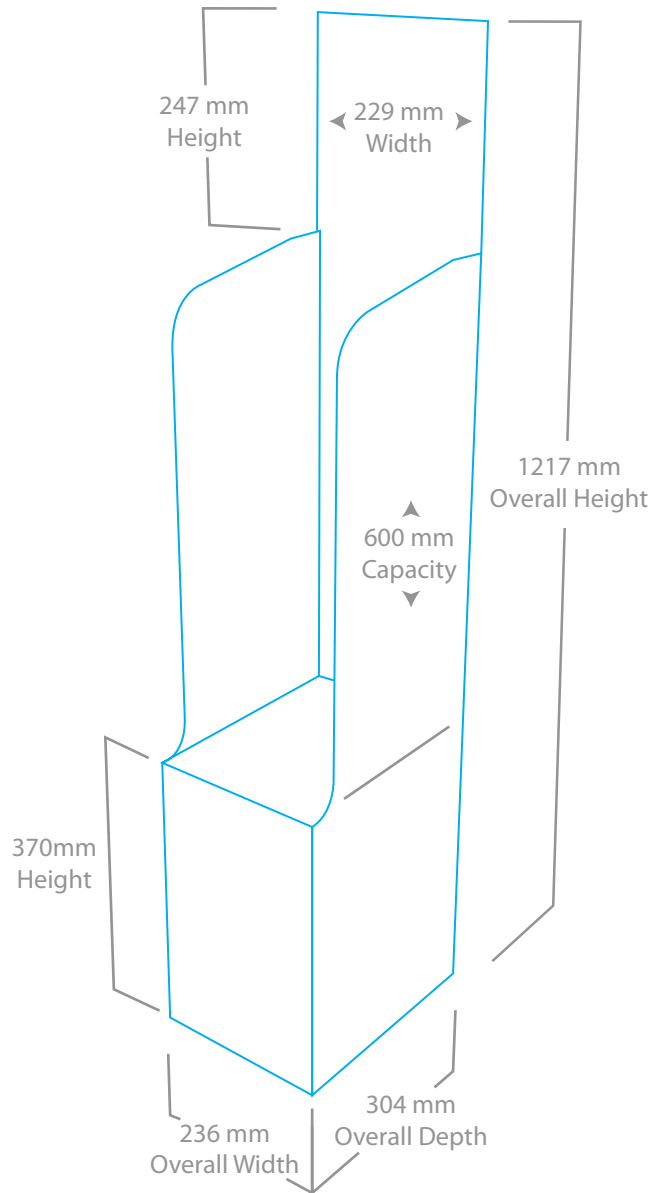
FSDU 600



Technical Information

■ Category:	FSDU	■
■ Spec No.:	12608	■
■ Flat Size:	1155mm x 1000 mm x 40mm	■
■ Assembled Size:	As Above	■
■ Material:	E/B Flute	■
■ Weight loading:	20Kg Per Shelf	■
■ Stock Capacity Area:	As Above	■
■ Key Characteristic:	None	■
■ Product Sector:	All	■

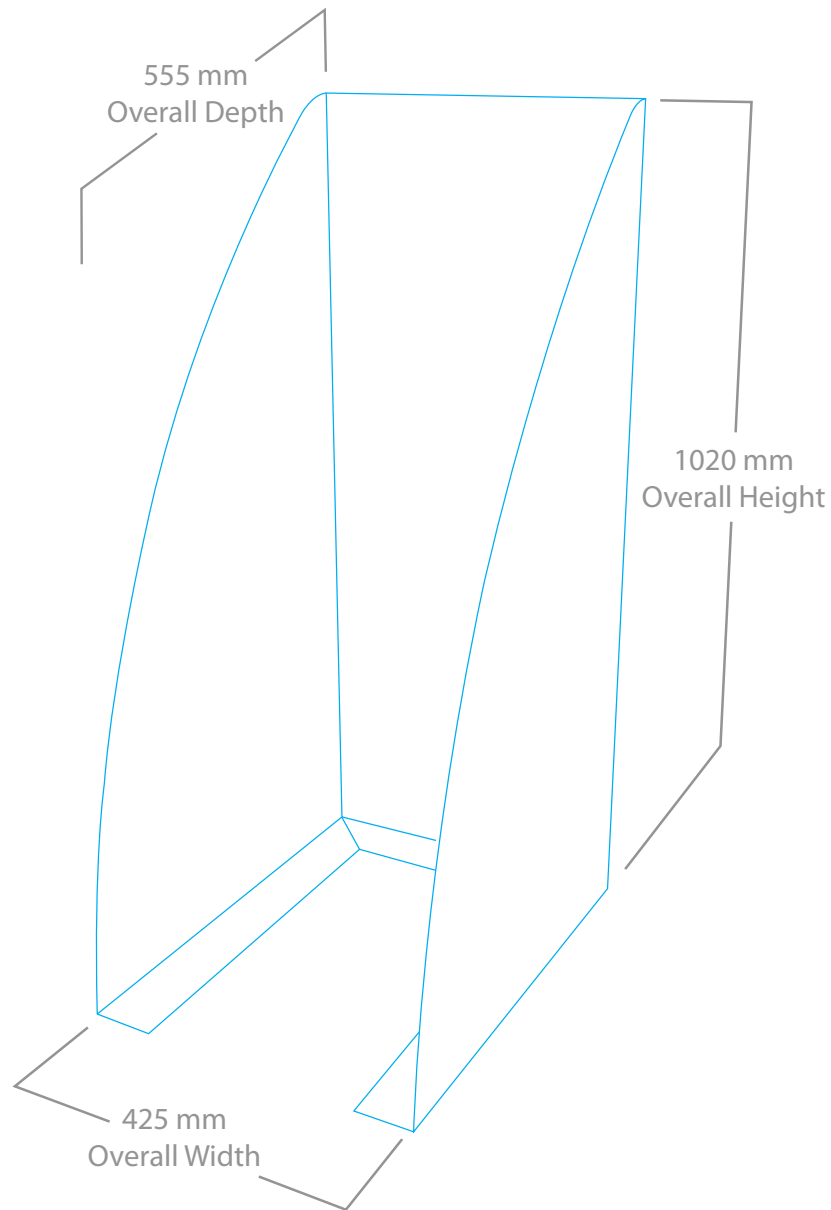
Single Stacker Magazine Unit



Technical Information

■ Category:	Stacking Unit	■
■ Spec No.:	12749	■
■ Flat Size:	1217mm x 540 mm x 30mm	■
■ Assembled Size:	As Above	■
■ Material	E/B Flute	■
■ Weight loading	25Kg	■
■ Stock Capacity Area:	600mm x 236mm x 304mm	■
■ Key Characteristic:	None	■
■ Product Sector:	All	■

Shoptidy Unit



Technical Information

■ Category:	Shoptidy	■
■ Spec No.:	12753	■
■ Flat Size:	1095mm x 980 mm x 10mm	■
■ Assembled Size:	As Above	■
■ Material:	F Flute	■
■ Weight loading:	Only Limited to product itself	■
■ Stock Capacity Area:	1020mm x555mm x425mm	■
■ Key Characteristic:	No Assembly	■
■ Product Sector:	All	■