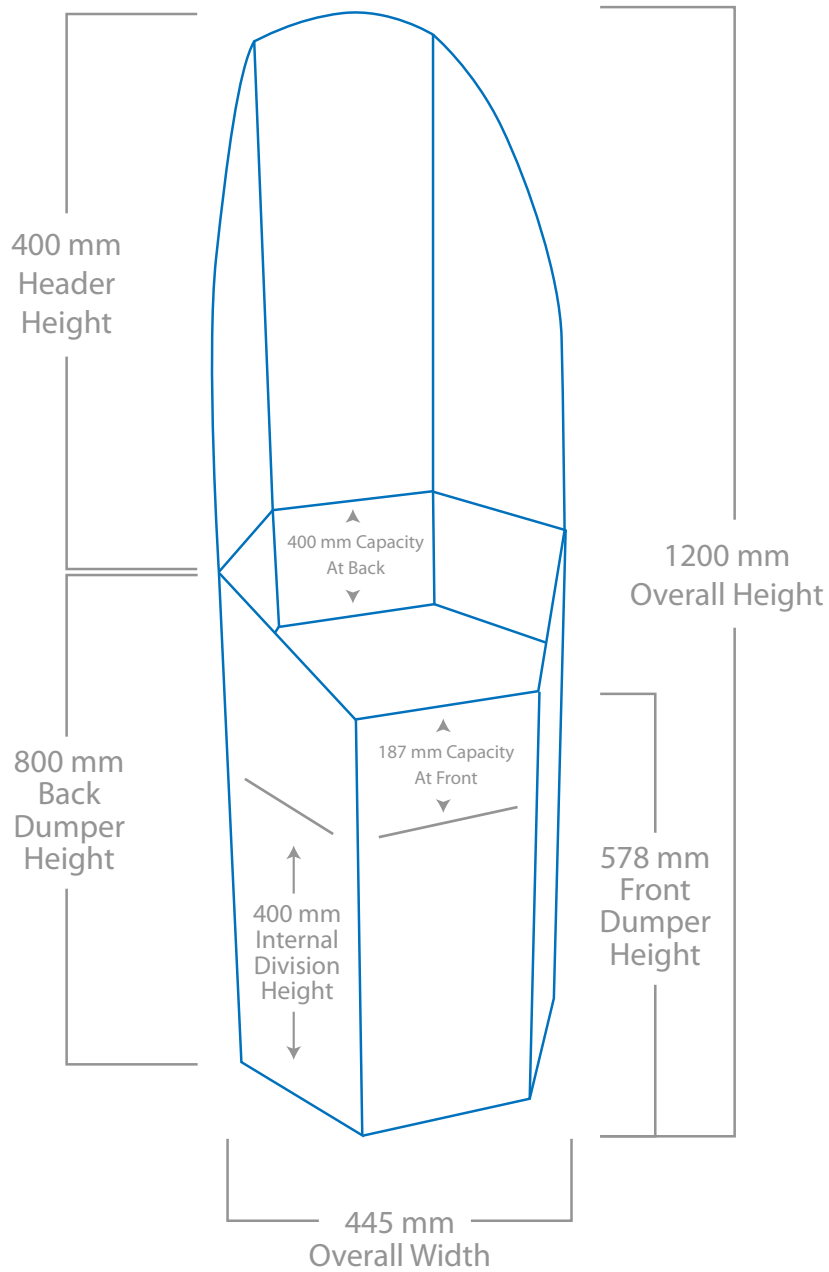


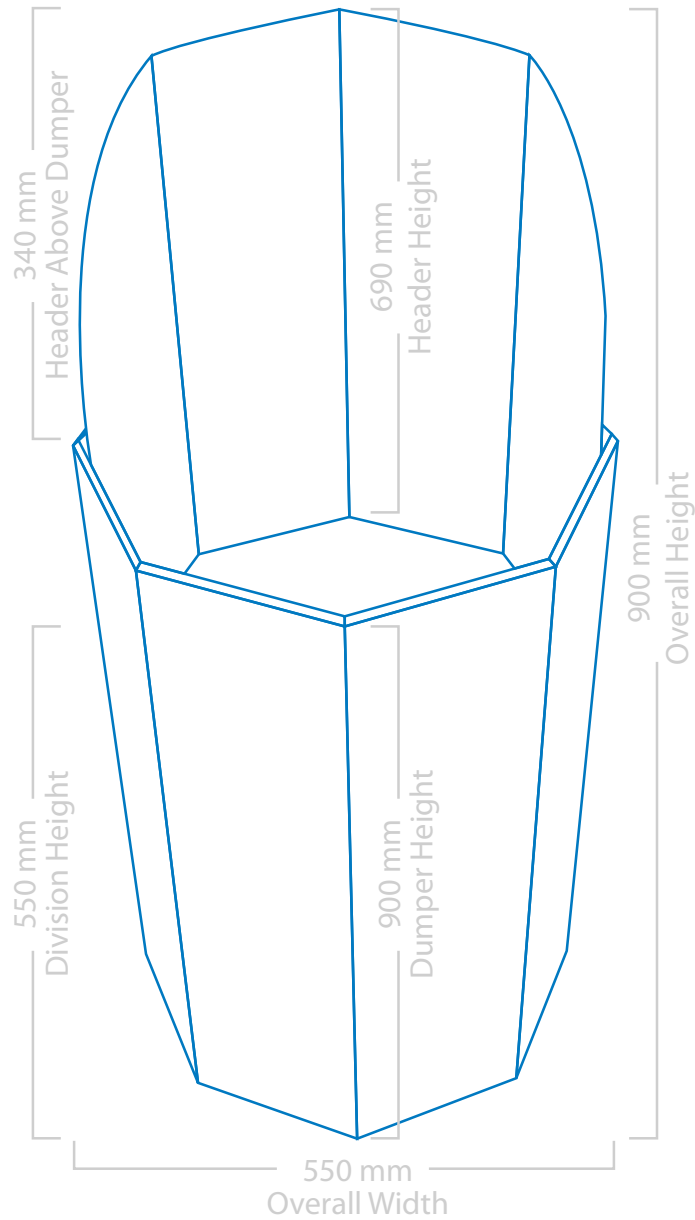
# Hexagonal Dumper



## Technical Information

■ Category:	Dumper Bin	■
■ Spec No.:	1733	■
■ Flat Size:	1055mm x 705mm x 44mm	■
■ Assembled Size:	As Above	■
■ Material	E/B Flute & F Flute	■
■ Weight loading	28Kg	■
■ Stock Capacity Area:	445mm x 445mm x 187mm	■
■ Key Characteristic:	Self Erecting	■
■ Product Sector:	All	■

# Octagonal Dumper

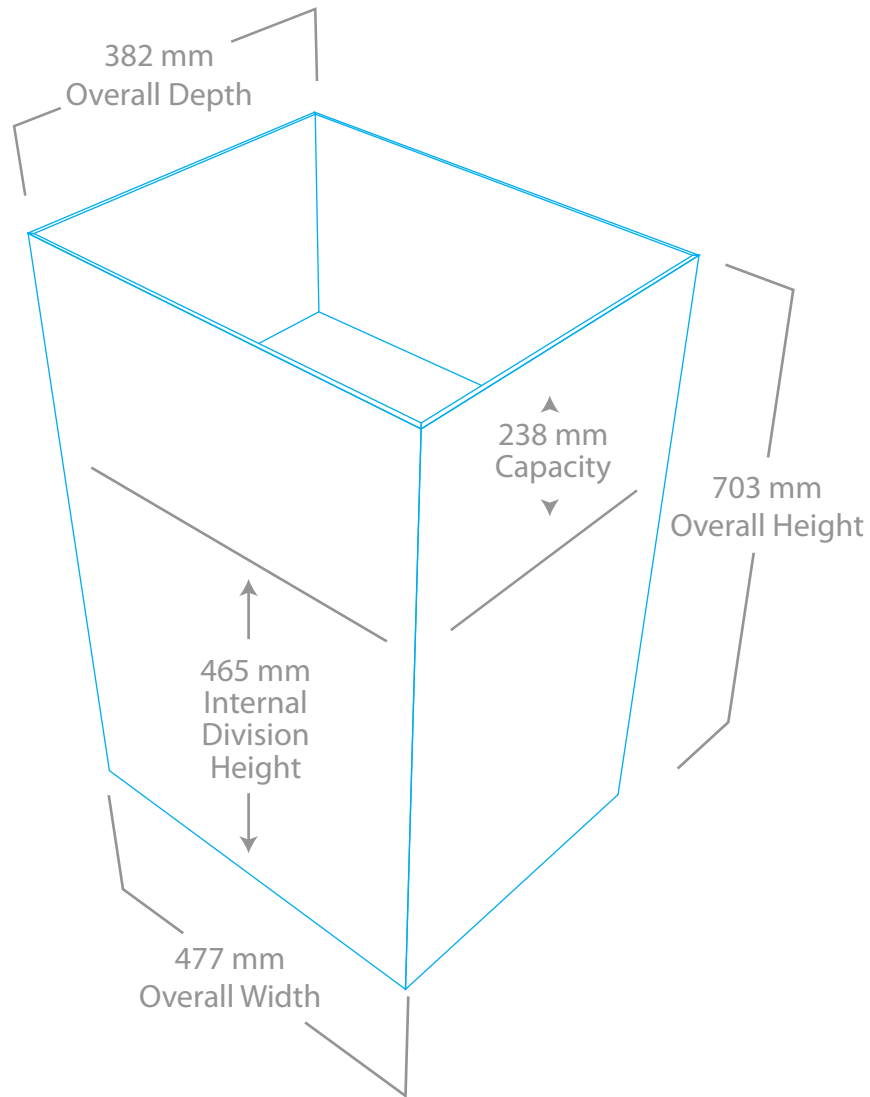


## Technical Information

■ Category:	Dumper Bin	■
■ Spec No.:	6892	■
■ Flat Size:	1127mm x 915mm x 40mm	■
■ Assembled Size:	As Above	■
■ Material	E/B Flute	■
■ Weight loading	28Kg	■
■ Key Characteristic:	None	■
■ Product Sector:	All	■

# Rectangular Dumper

Well & Flat Top



## Technical Information

■ Category:	Dumper Bin	■
■ Spec No.:	1851	■
■ Flat Size:	1127mm x 860 mm x 40mm	■
■ Assembled Size:	As Above	■
■ Material	E/B Flute	■
■ Weight loading	28Kg	■
■ Stock Capacity Area:	477mm x 382mm x 238mm	■
■ Key Characteristic:	Well or Flat top Options	■
■ Product Sector:	All	■